

MRM-710IDU Intelligent Manual Station



Features

- Dual Action
- Key resettable
- For use with the Secutron MR-2350 Series Fire Alarm Control Units
- Permanently attached intelligent module
- High-gloss red enamel finish
- Plastic breakrod
- Meets ADA 5 lb. maximum manual-force
- Mounts on standard single gang box, MRM-700 surface metal backbox or MRM-700WP weather proof backbox

Description

Secutron's MRM-710IDU provides manual fire reporting. This high quality, die-cast metal intelligent fire alarm manual station is a dual action unit with key reset and a permanently attached addressable module. The intelligent manual station has DIP switches which allow for address setting. Pulling the handle initiates the operation of the addressable module. The MRM-710IDU is available with CAT-30 keys and mounts on a standard single gang backbox, MRM-700 interior surface metal backbox, or MRM-700WP weather proof backbox.

Operation

The MRM-710IDU Dual Action Intelligent Manual Station is operated by pushing the bar labelled "PUSH BAR" and then pulling down the handle marked "PULL HANDLE". The MRM-710IDU is reset by opening the station with the key, placing the handle in the normal upright position and re-locking the station.

Specifications

The manual station shall be Secutron's MRM-710IDU. Operating instructions shall be in raised English lettering and the unit shall be constructed of high quality die-cast metal and finished in red enamel paint to provide quick identification. Pulling the handle shall initiate immediate operation of the intelligent addressable module.

All manual fire alarm stations shall be installed as per the specific requirements outlined in the UL codes, as well as all other applicable national or local codes. Final acceptance is subject to the local authority having jurisdiction.



Specifications

Switch Rating:

1 Amp @ 30 VDC

0.1 Amp @ 125 VAC

Manual Station Dimensions:

4.9" H x 3.5" W x 2.0" D

Color:

Red with raised white letters, white Manual bar with raised red letters.

Surface Mount Backboxes



MRM-700 Surface Mount Backbox

Dimensions:

5" H x 3.6" W x 2.0" D

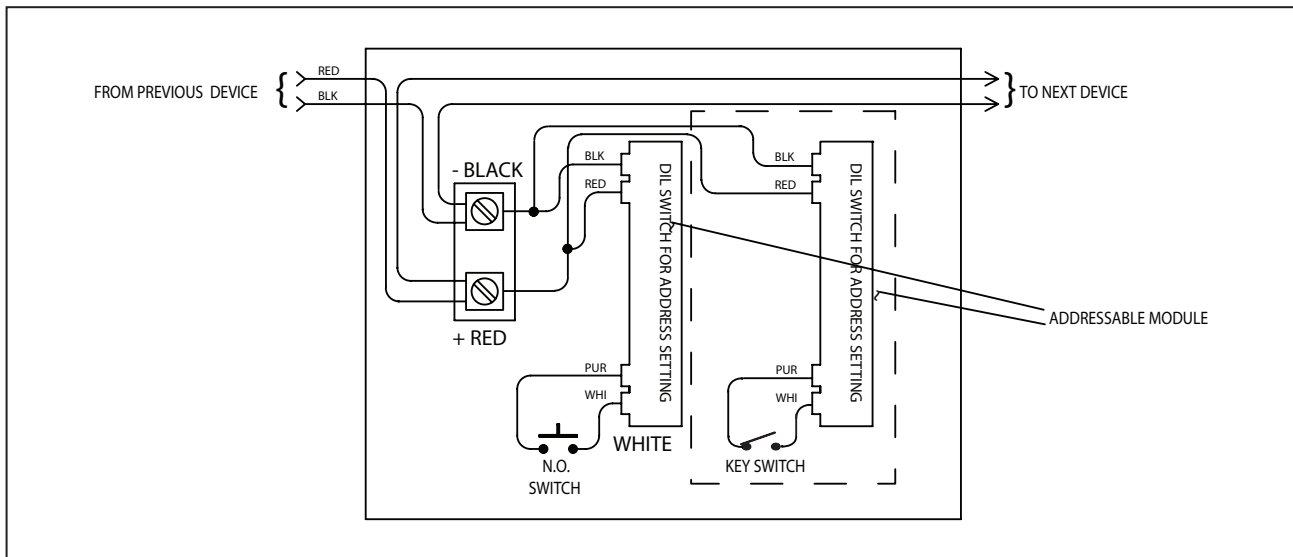


MRM-700WP Weatherproof Surface Mount Backbox

Dimensions:

5" H x 3.6" W x 2.2" D

Typical Wiring Diagram



Ordering Information

Model	Description
MRM-710IDU	Intelligent Key Resettable Dual Action Manual Station
MRM-700	Interior Surface Mount Backbox, Red Finish
MRM-700WP	Weatherproof Surface Mount Backbox, Red Finish

